

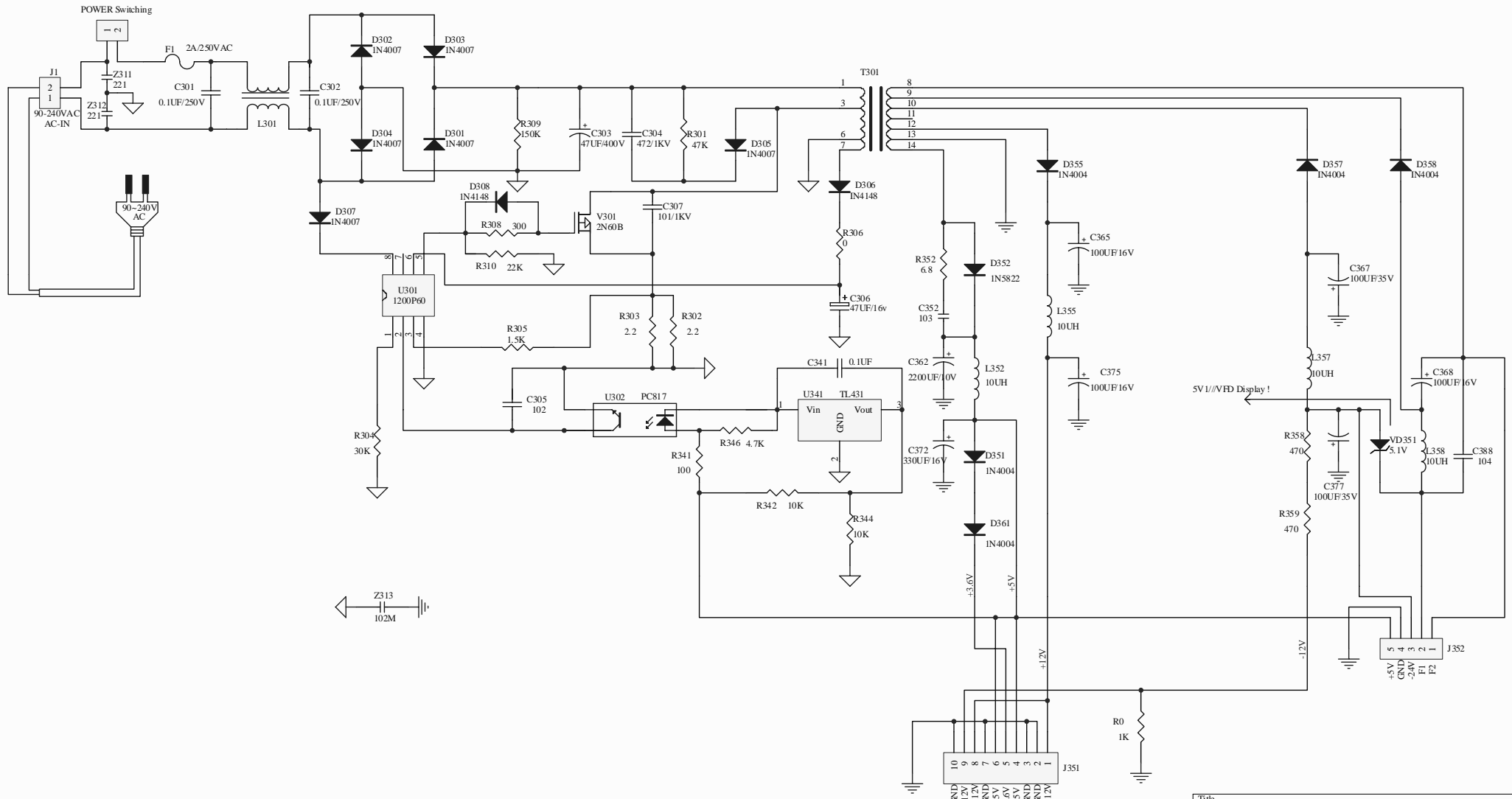


AKAI

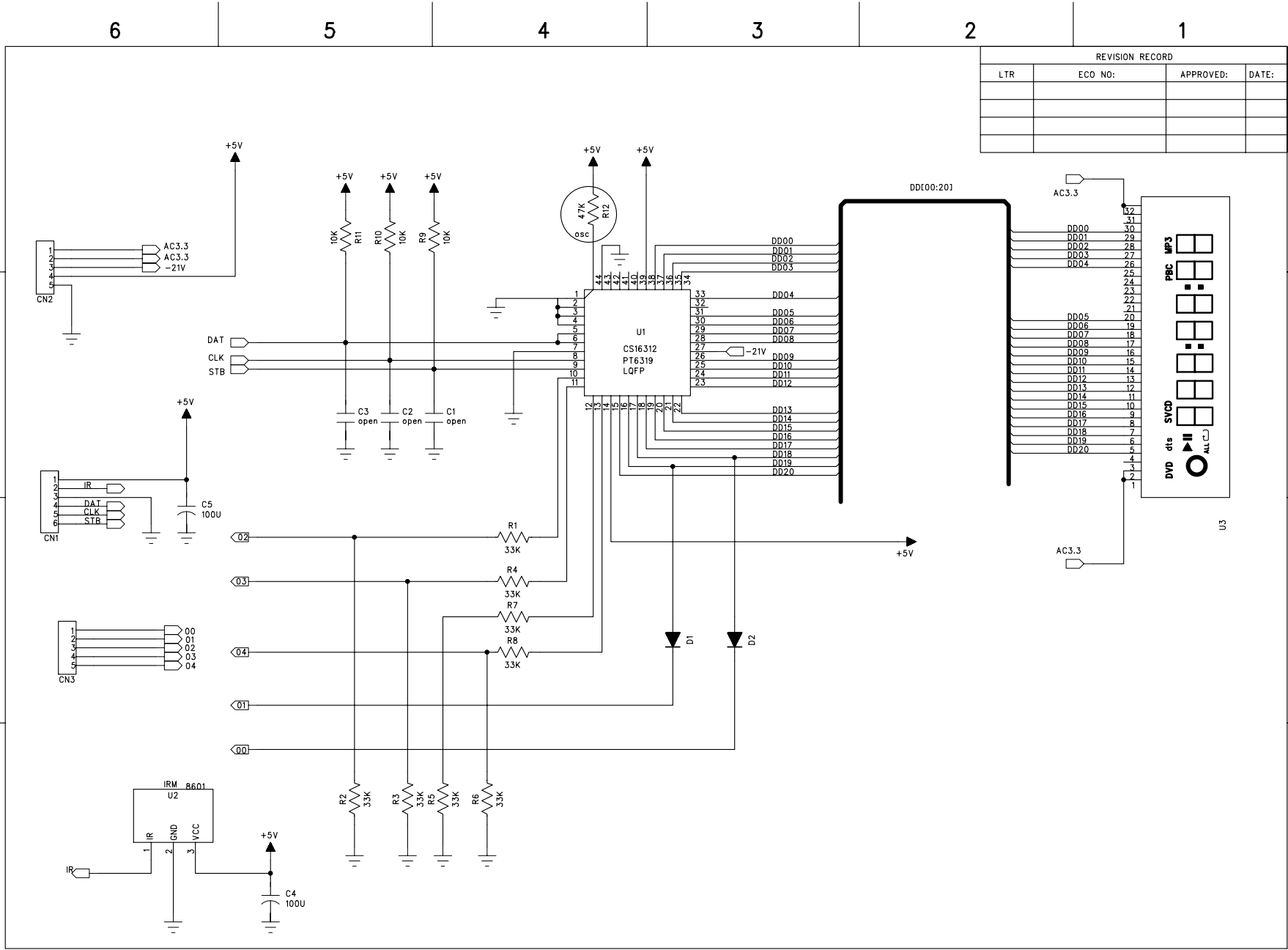
DVD PLAYER

Model:
DV-P5330SL

SERVICE MANUAL



Title		
Size	Number	Revision
A3		REV0.1
Date	2004-9-21	Sheet of 1
File		CSH



REVISION RECORD			
LTR	ECO NO:	APPROVED:	DATE:

6

5

4

3

2

1

D

D

C

C

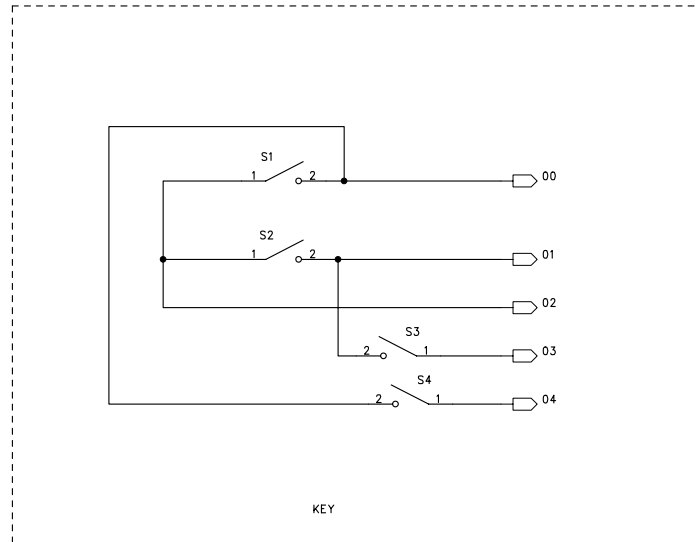
B

B

A

A

REVISION RECORD			
LTR	ECO NO:	APPROVED:	DATE:

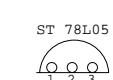
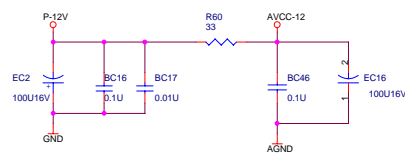
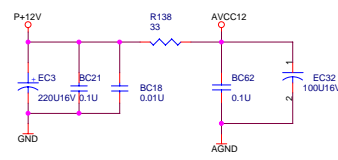
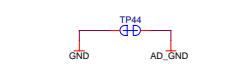
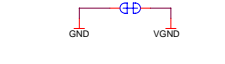
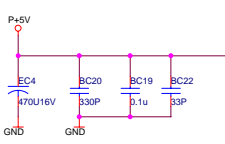
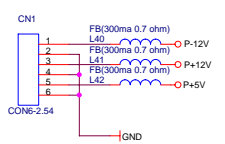
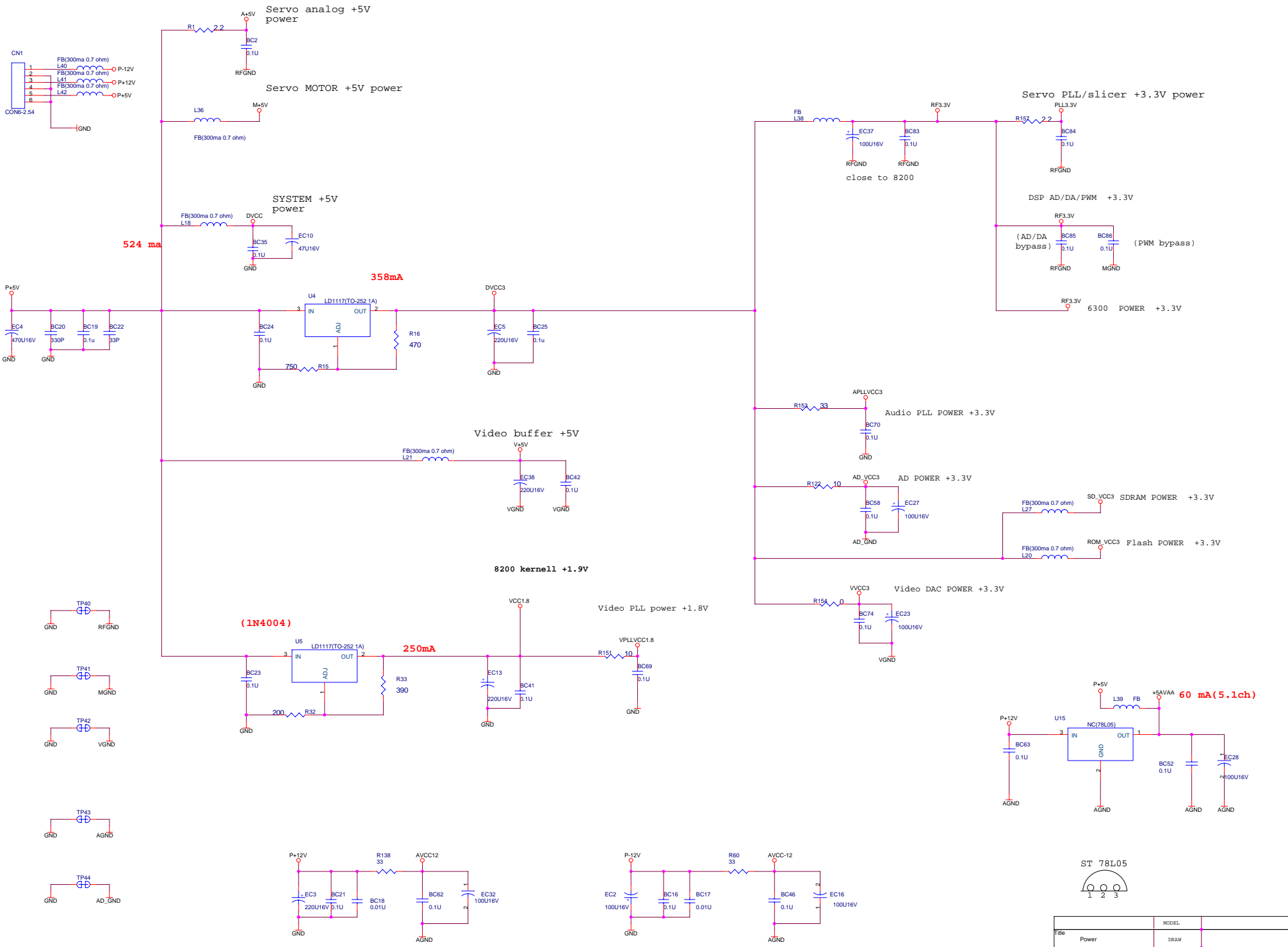


COMPANY:			
TITLE:			
key			
CODE:	SIZE:	DRAWING NO:	REV:
SCALE:		SHEET: OF	

DRAWN:	DATED:
CHECKED:	DATED:
QUALITY CONTROL:	DATED:
RELEASED:	DATED:

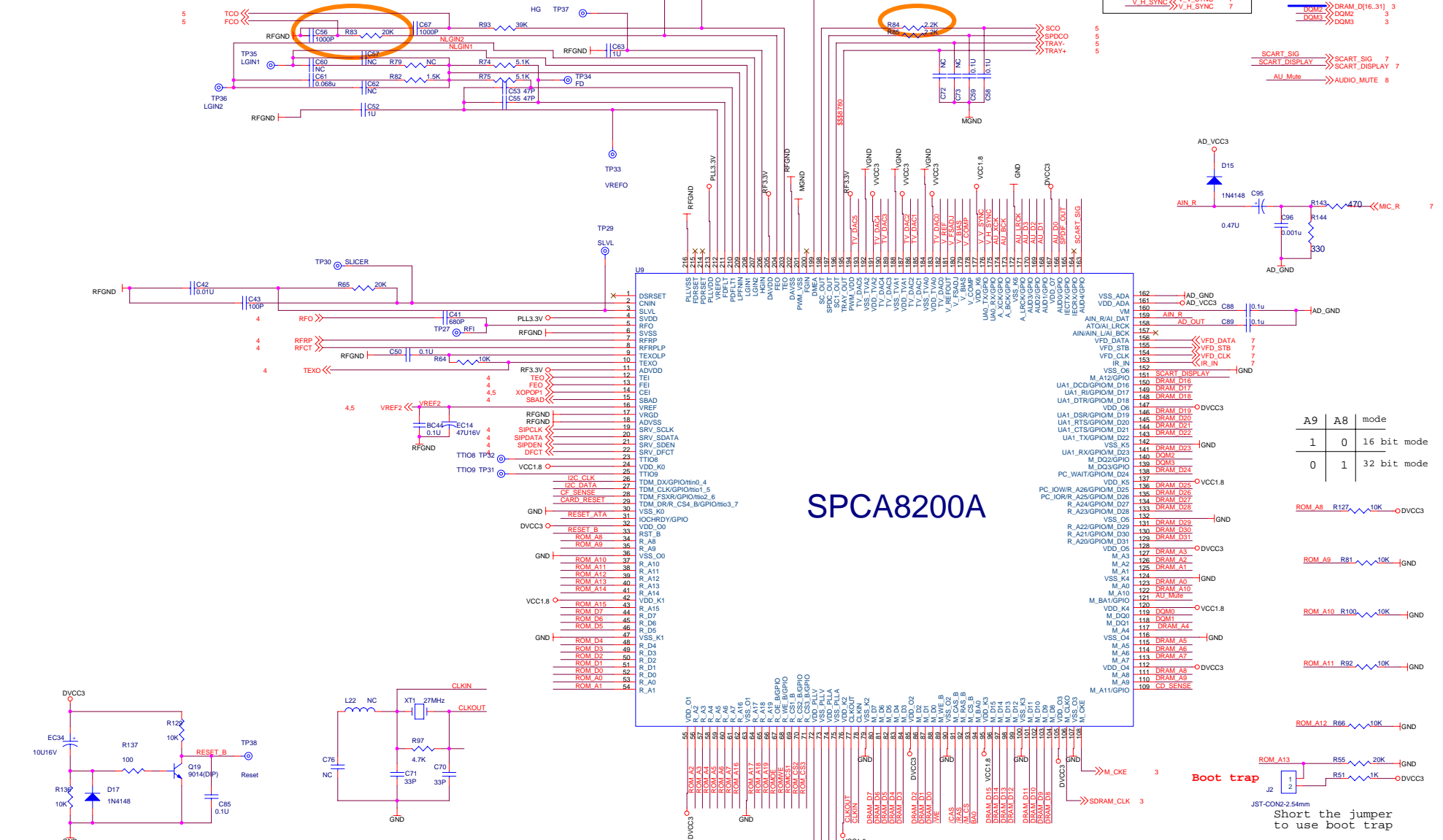
SPCA8200A

Pin	Signal	Pin	Signal
1	DSRSET	162	VSS_ADA
2	CNNIN	161	VDD_ADA
3	SLVL	160	VM
4	SVDD	159	AIN_R/AI_DAT
5	RFO	158	ATO/AI_LRCK
6	SVSS	157	AIN/AIN_L/AI_BCK
7	RFRP	156	VFD_DATA
8	RFRPLP	155	VFD_STB
9	TEXOLP	154	VFD_CLK
10	TEXO	153	IR_IN
11	ADVDD	152	VSS_O6
12	TEI	151	M_A12/GPIO
13	FEI	150	UA1_DCD/GPIO/M_D16
14	CEI	149	UA1_RI/GPIO/M_D17
15	SBAD	148	UA1_DTR/GPIO/M_D18
16	VREF	147	VDD_O6
17	VRGD	146	UA1_DSR/GPIO/M_D19
18	ADVSS	145	UA1_RTS/GPIO/M_D20
19	SRV_SCLK	144	UA1_CTS/GPIO/M_D21
20	SRV_SDATA	143	UA1_TX/GPIO/M_D22
21	SRV_SDEN	142	VSS_K5
22	SRV_DFCT	141	UA1_RX/GPIO/M_D23
23	TTIO8	140	M_DQ2/GPIO
24	VDD_K0	139	M_DQ3/GPIO
25	TTIO9	138	PC_WAIT/GPIO/M_D24
26	TDM_DX/GPIO/ttio0_4	137	VDD_K5
27	TDM_CLK/GPIO/ttio1_5	136	PC_IOW/R_A26/GPIO/M_D25
28	TDM_FSXR/GPIO/ttio2_6	135	PC_IOR/R_A25/GPIO/M_D26
29	TDM_DR/R_CS4_B/GPIO/ttio3_7	134	R_A24/GPIO/M_D27
30	VSS_K0	133	R_A23/GPIO/M_D28
31	IOCHRDY/GPIO	132	VSS_O5
32	VDD_O0	131	R_A22/GPIO/M_D29
33	RST_B	130	R_A21/GPIO/M_D30
34	R_A8	129	R_A20/GPIO/M_D31
35	R_A9	128	VDD_O5
36	VSS_O0	127	M_A3
37	R_A10	126	M_A2
38	R_A11	125	M_A1
39	R_A12	124	VSS_K4
40	R_A13	123	M_A0
41	R_A14	122	M_A10
42	VDD_K1	121	M_BA1/GPIO
43	R_A15	120	VDD_K4
44	R_D7	119	M_DQ0
45	R_D6	118	M_DQ1
46	R_D5	117	M_A4
47	VSS_K1	116	VSS_O4
48	R_D4	115	M_A5
49	R_D3	114	M_A6
50	R_D2	113	M_A7
51	R_D1	112	VDD_O4
52	R_D0	111	M_A8
53	R_A0	110	M_A9
54	R_A1	109	M_A11/GPIO
55	VDD_O1		
56	R_A2		
57	R_A3		
58	R_A4		
59	R_A5		
60	R_A6		
61	R_A7		
62	R_A16		
63	VSS_O1		
64	R_A17		
65	R_A18		
66	R_A19		
67	R_OE_B/GPIO		
68	R_WE_B/GPIO		
69	R_CS1_B		
70	R_CS2_B/GPIO		
71	R_CS3_B/GPIO		
72	VDD_PLLV		
73	VSS_PLLV		
74	VDD_PLLA		
75	VSS_PLLA		
76	VDD_K2		
77	CLKOUT		
78	CLKIN		
79	VSS_K2		
80	M_D7		
81	M_D6		
82	M_D5		
83	M_D4		
84	M_D3		
85	VDD_O2		
86	M_D2		
87	M_D1		
88	M_D0		
89	M_WE_B		
90	VSS_O2		
91	M_CAS_B		
92	M_RAS_B		
93	M_CS_B		
94	M_BA0		
95	VDD_K3		
96	M_D15		
97	M_D14		
98	M_D13		
99	M_D12		
100	VSS_K3		
101	M_D11		
102	M_D10		
103	M_D9		
104	M_D8		
105	VDD_O3		
106	M_CLKO		
107	VSS_O3		
108	M_CKE		
109			
110			
111			
112			
113			
114			
115			
116			
117			
118			
119			
120			
121			
122			
123			
124			
125			
126			
127			
128			
129			
130			
131			
132			
133			
134			
135			
136			
137			
138			
139			
140			
141			
142			
143			
144			
145			
146			
147			
148			
149			
150			
151			
152			
153			
154			
155			
156			
157			
158			
159			
160			
161			
162			
163			
164			
165			
166			
167			
168			
169			
170			
171			
172			
173			
174			
175			
176			
177			
178			
179			
180			
181			
182			
183			
184			
185			
186			
187			
188			
189			
190			
191			
192			
193			
194			
195			
196			
197			
198			
199			
200			
201			
202			
203			
204			
205			
206			
207			
208			
209			
210			
211			
212			
213			
214			
215			
216			



File	Power	MODEL	DRAM
Size	C	APPROVED	
Date	2004.03.08	Sheet	1 of 7

	R93	C67		R83	C56	
SANYO	39K	1000P		SANYO	20K	1000P
SAMSUNG	39K	1000P		SAMSUNG	3.3K	2700P
MITSUMI	39K	1000P		MITSUMI	3.3K	2700P
SONY 310	39K	1000P		SONY 310	10K	1500P
THOMSON	12K	1500P		THOMSON	3.3K	2700P

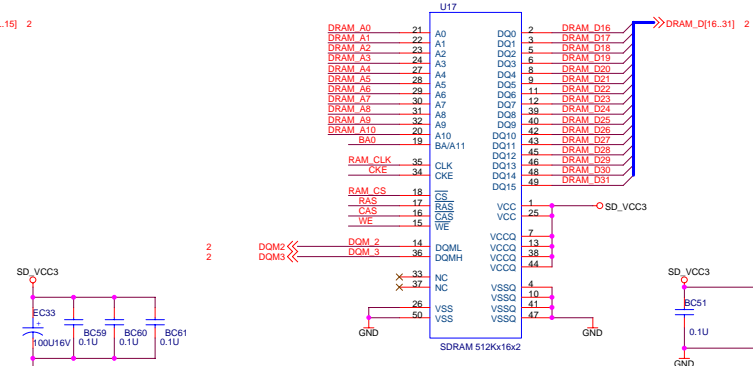
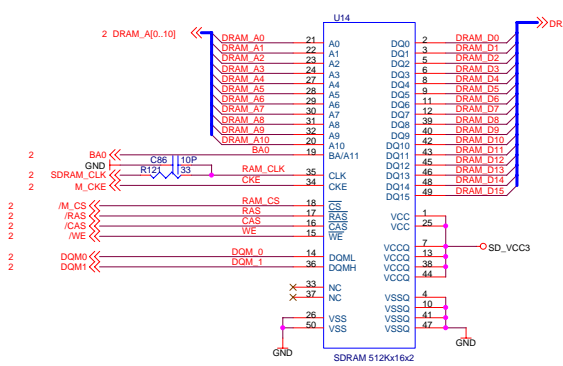
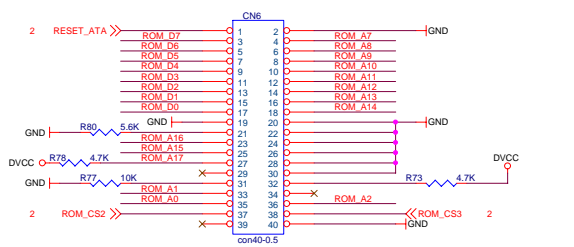
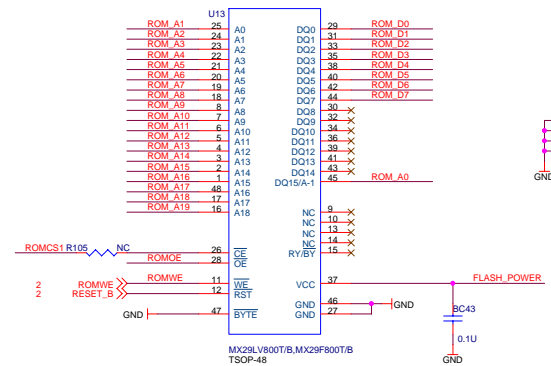
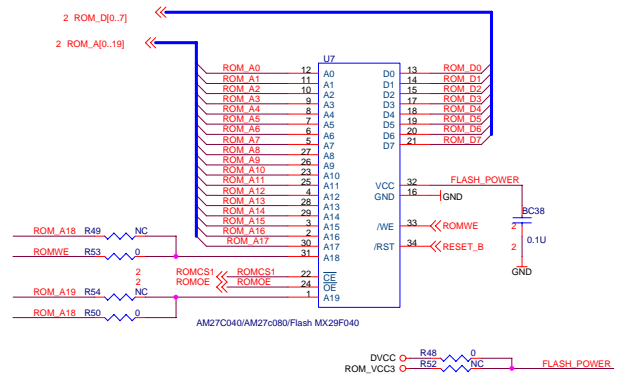


SPCA8200A

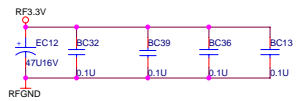
A9	A8	mode
1	0	16 bit mode
0	1	32 bit mode

Boot trap
 J2
 Short the jumper to use boot trap

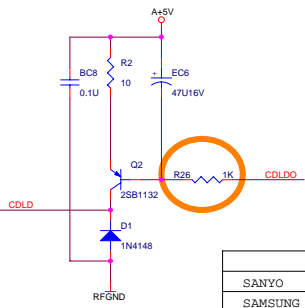
Title		MODEL	FXH-DP303
Size		DRAB	黄祖奎
C		APPROVED	Rev
Date Sheet		2 of 7	



MODEL			
Title	ROMFLASHMemory	DRAW	
Size	Document Number	APPROVED	1.0
Date:	2024.03.08	Sheet	3 of 7

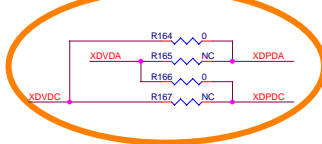


	R26
SANYO	1k
SAMSUNG	1k
MITSUMI	1k
SONY 310	0
THOMSON	0

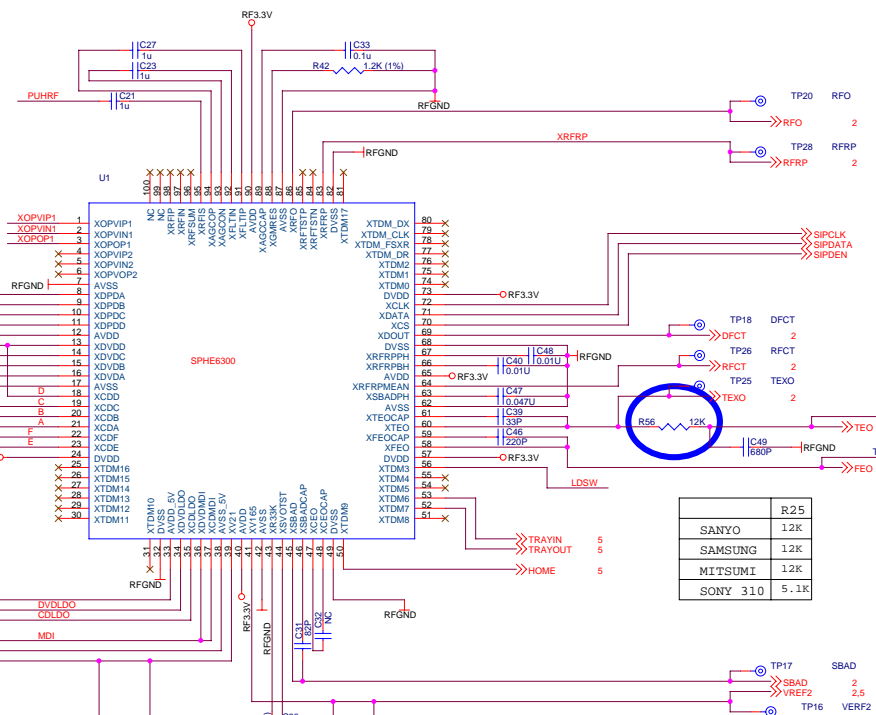


	R25
SANYO	0
SAMSUNG	0
MITSUMI	0
SONY 310	0
THOMSON	0

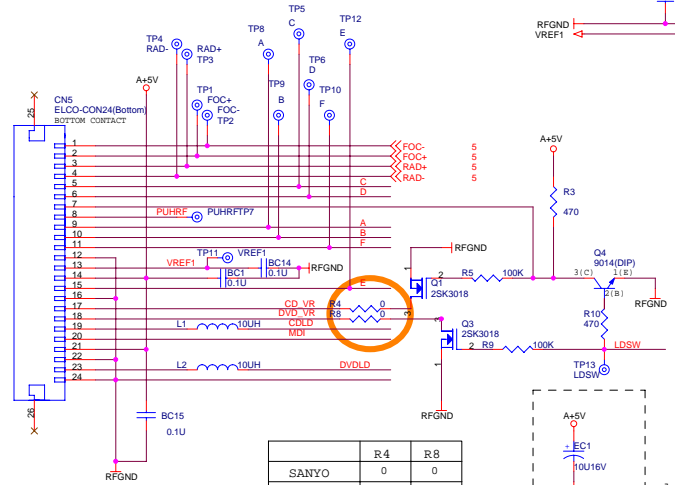
	R164	R165	R166	R167
SANYO	0	NC	0	NC
SAMSUNG	0	NC	0	NC
MITSUMI	NC	0	NC	0
SONY 310	0	NC	0	NC
THOMSON	0	NC	0	NC



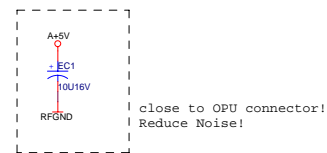
- XOPVIP1 XOPVIP1 5
- XOPVIN1 XOPVIN1 2.5
- XOPOP1 XOPOP1 2.5



	R25
SANYO	12k
SAMSUNG	12k
MITSUMI	12k
SONY 310	5.1k

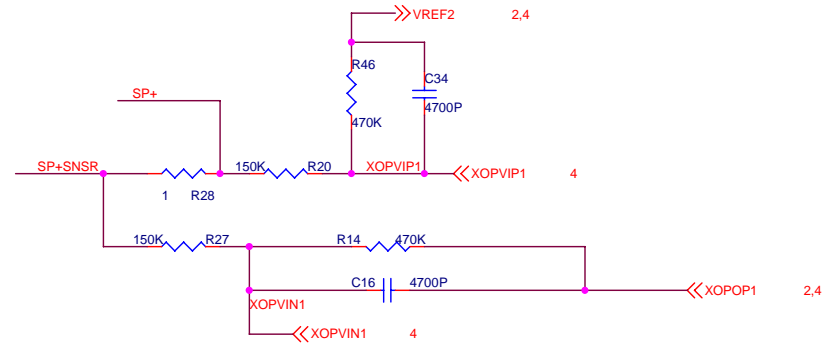
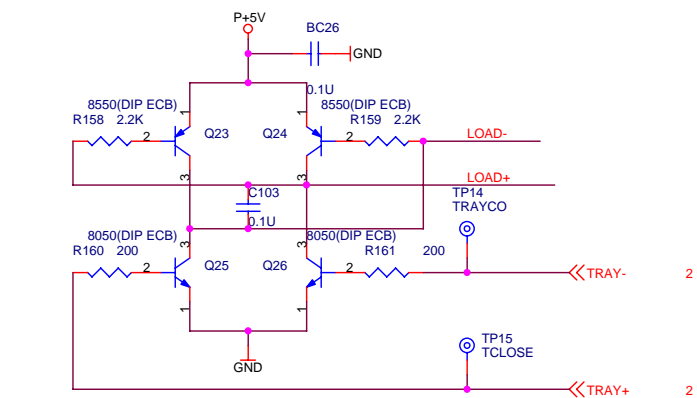
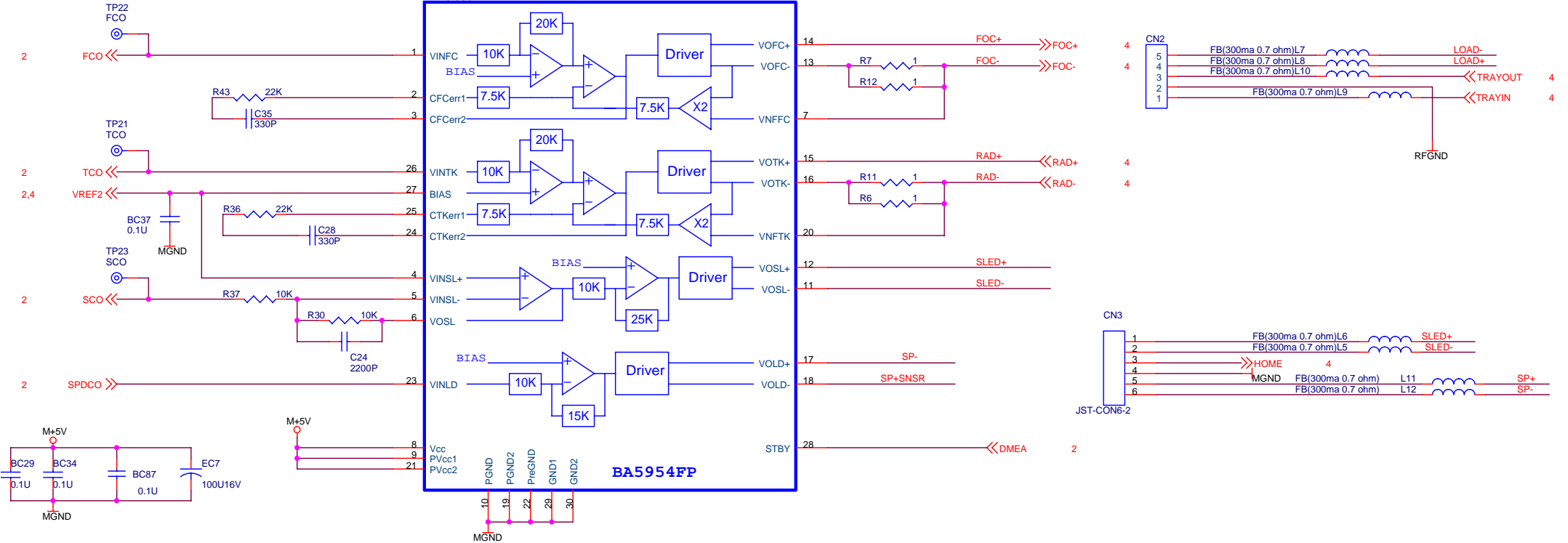


	R4	R8
SANYO	0	0
SAMSUNG	0	0
MITSUMI	0	0
SONY 310	100	100
THOMSON	240	0

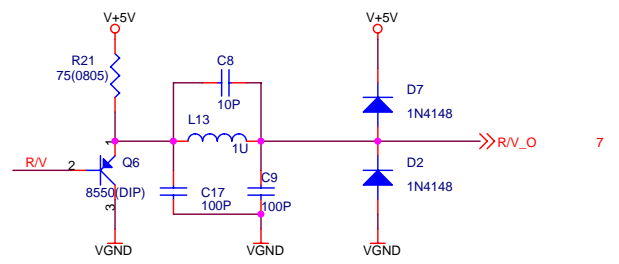
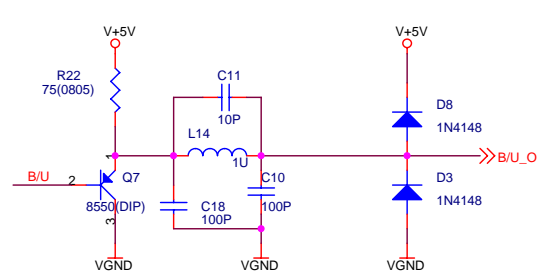
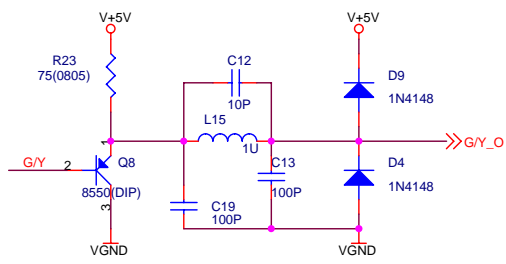
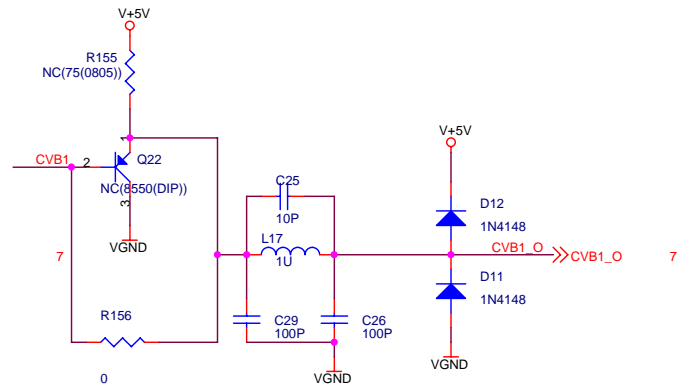
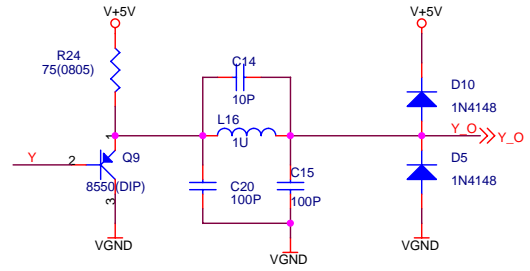
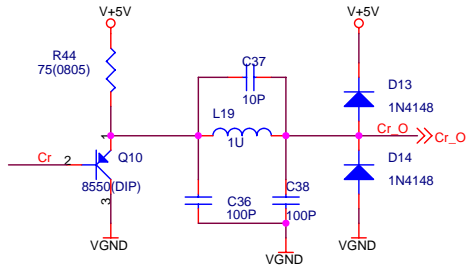
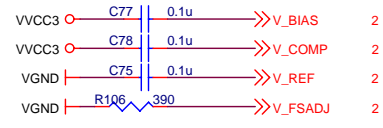
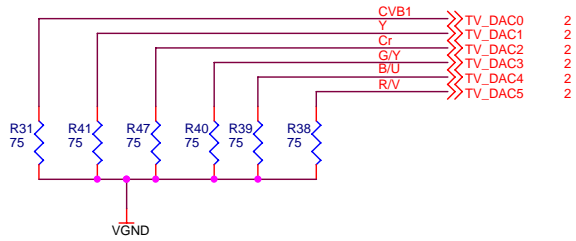


Title	Pre-Amp	MODEL	
Size	C	APPROVED	Rev V1.0
Date	2004.03.08	Sheet	4 of 7

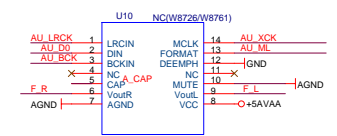
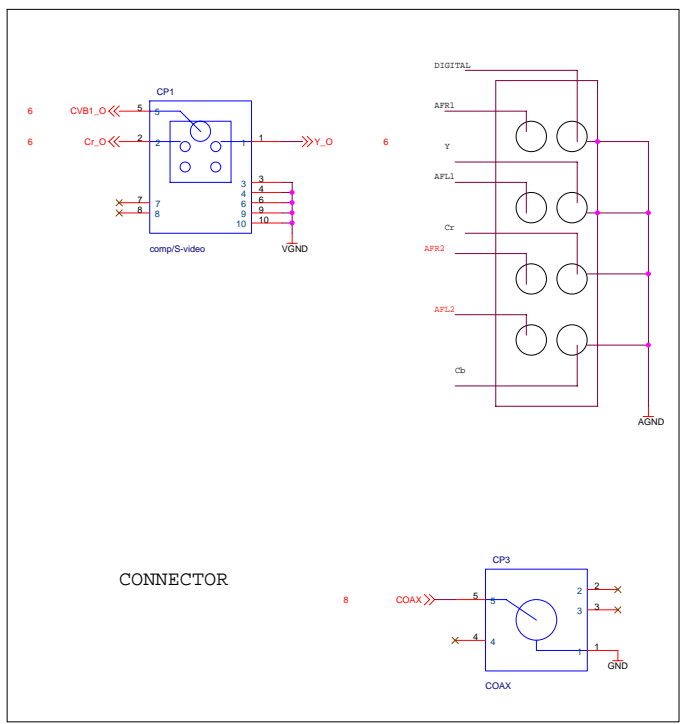
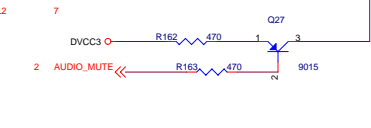
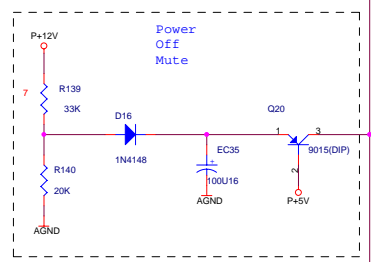
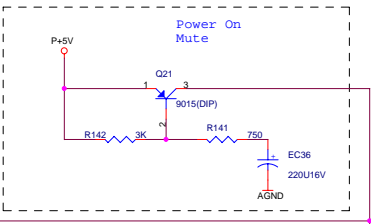
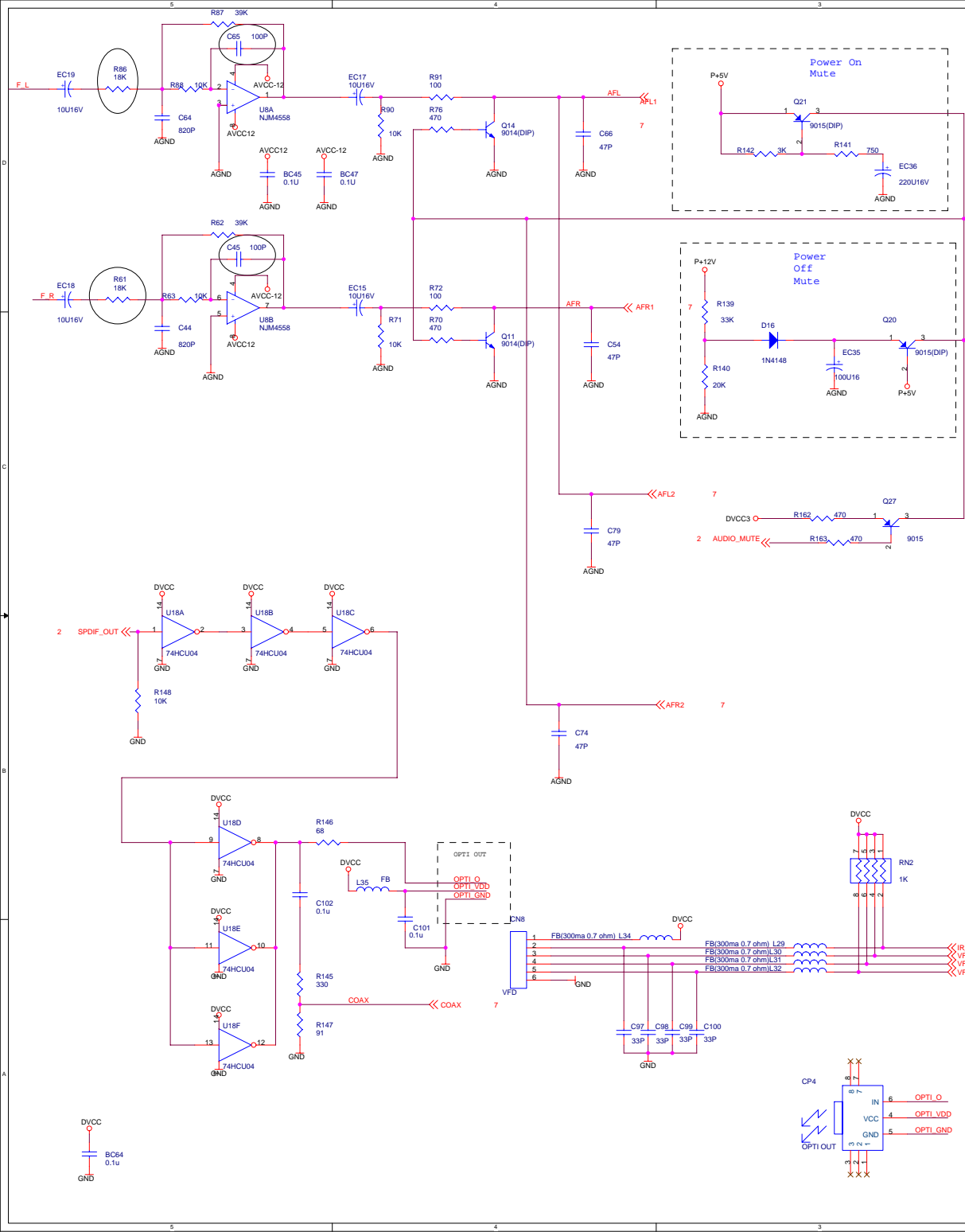
U6
BA5954FP / CMD5954
DIP28-SSOPH



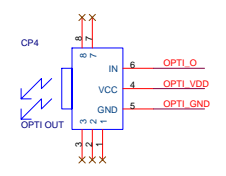
Title		MODEL		
Motor-Driver		DRAW		
Size	Document Number	APPROVED	1.0	Rev
B				
Date: 2004_03_08		Sheet 5 of 7		



Title		MODEL	
Video Buffer		DRAW	
Size B	Document Number	APPROVED	1.0
Date:	2004.03.08	Sheet	6 of 7



AUDIO DAT



WM8726 Format Sett
0:16 bits, Right
1:24 bits, I2S

Title		MODEL	
Audio filter and MIC		DRAW	
Size	Document Number	APPROVED	Rev
Date:			1 7 of 7